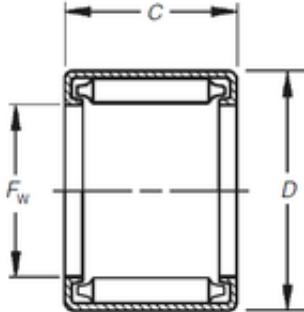




JOD Machinery Co., Ltd.

Timken B-5612 needle roller bearings



Bearing No. B-5612

Size	88.9x101.6x19.05 mm
Bore Diameter	88,9 mm
Outer Diameter	101,6 mm
Width	19,05 mm
Fw	88,9 mm
D	101,6 mm
C	19,05 mm
Weight	0,212 Kg
Basic dynamic load rating (C)	64,9 kN
Basic static load rating (C0)	150 kN
(Grease) Lubrication Speed	1800 r/min

B-5612 Bearing 2D drawings and 3D CAD models