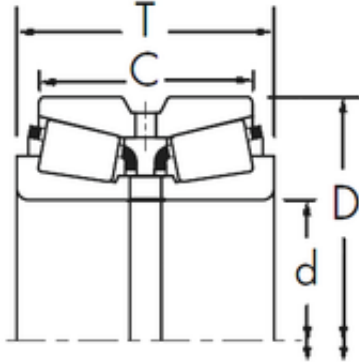




# JOD Machinery Co., Ltd.



## Timken HM746646/HM746610CD+HM746646XC tapered roller bearings

Bearing No. HM746646/HM746610CD+HM746646XC

Size	228.6x355.6x152.4 mm
Bore Diameter	228,6 mm
Outer Diameter	355,6 mm
Width	152,4 mm
d	228,6 mm
D	355,6 mm
T	152,4 mm
C	114,3 mm
R	6,4 mm
r	1,5 mm

HM746646/HM746610CD+HM746646XC Bearing 2D drawings and 3D CAD models