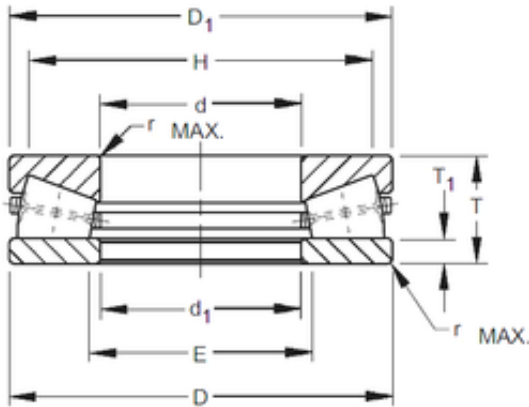




Timken E-1994-C thrust roller bearings

Bearing No. E-1994-C



E-1994-C Bearing 2D drawings and 3D CAD models

Size	304.8x673.1x171.45 mm
Bore Diameter	304,8 mm
Outer Diameter	673,1 mm
Width	171,45 mm
d	304,8 mm
D	673,1 mm
T	171,45 mm
r max	7,6 mm
T1	37,31 mm
d1	307,98 mm
D1	671,51 mm
E	352,4 mm
H	608 mm