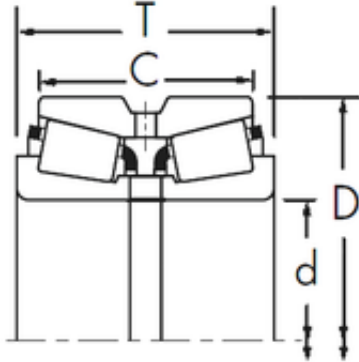




JOD Machinery Co., Ltd.

Timken 3775/3729D+X3S-3775 tapered roller bearings



Bearing No. 3775/3729D+X3S-3775

Size	50.8x93.264x65.088 mm
Bore Diameter	50,8 mm
Outer Diameter	93,264 mm
Width	65,088 mm
d	50,8 mm
D	93,264 mm
T	65,088 mm
C	52,388 mm
R	0,8 mm
r	0,8 mm

3775/3729D+X3S-3775 Bearing 2D drawings and 3D CAD models