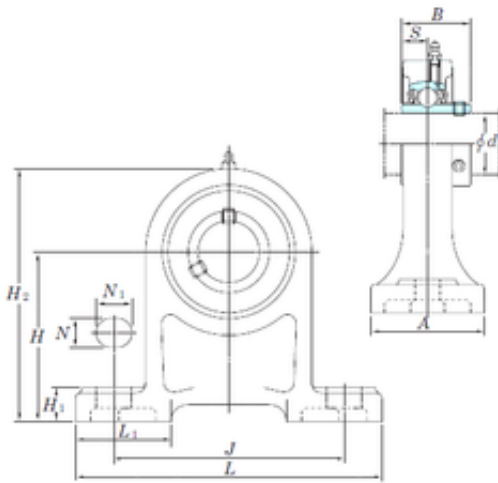




**KOYO UCPH209-26 bearing units**

Bearing No. UCPH209-26



UCPH209-26 Bearing 2D drawings and 3D CAD models

Bore Diameter	41,275 mm
Width	49,2 mm
d	41,275 mm
A	70 mm
B	49,2 mm
H	105 mm
H1	20 mm
H2	158 mm
J	146 mm
L	190 mm
L1	58 mm
N	17 mm
N1	21 mm
S	19 mm
Bolt (G)	M14
Weight	3 Kg
Basic dynamic load rating (C)	34,1 kN
Basic static load rating (C0)	21,3 kN