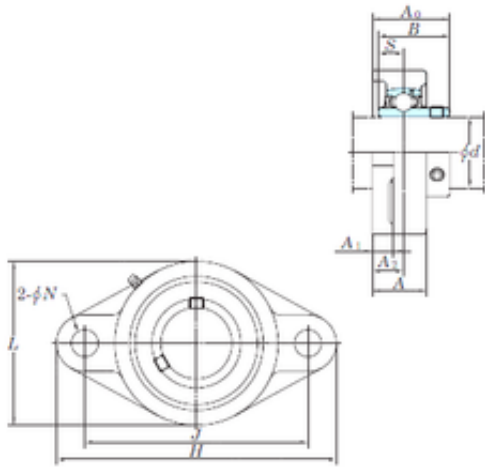




KOYO UCFL317 bearing units

Bearing No. UCFL317



UCFL317 Bearing 2D drawings and 3D CAD models

Bore Diameter	85 mm
d	85 mm
A0	100 mm
A	74 mm
A1	32 mm
B	96 mm
H	370 mm
J	300 mm
L	220 mm
N	38 mm
S	40 mm
A2	44 mm
Weight	16 Kg
Basic static load rating (C0)	133 kN
Bearing No.	UCFL317
Bolt size	M33
Cr	133
C0r	96.8
f0	13.3
(Refer.)Unit mass(kg)	16.0
Nipple size	R1/8