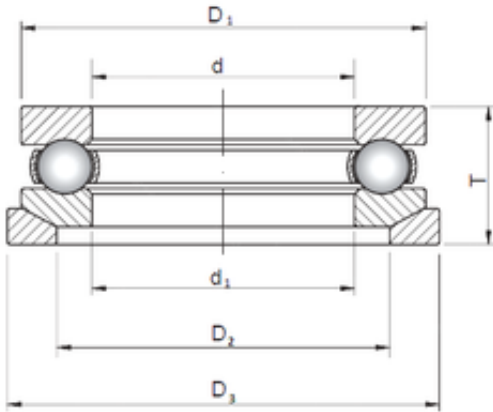




JOD Machinery Co., Ltd.

ISO 53218U+U218 thrust ball bearings

Bearing No. 53218U+U218



Bore Diameter	90 mm
Outer Diameter	135 mm
d	90 mm
d1	93 mm
D	135 mm
D1	135 mm
T	42 mm
D2	110 mm
D3	140 mm

53218U+U218 Bearing 2D drawings and 3D CAD models